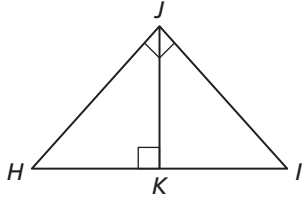


**9.3** Notetaking with Vocabulary (continued)

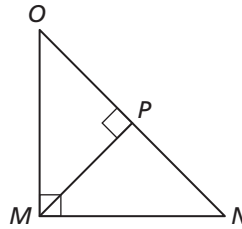
**Extra Practice**

In Exercises 1 and 2, identify the similar triangles.

1.



2.



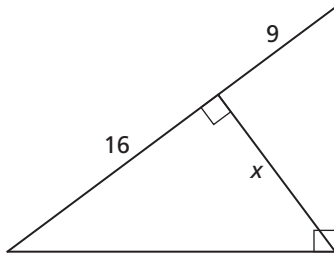
In Exercises 3 and 4, find the geometric mean of the two numbers.

3. 2 and 6

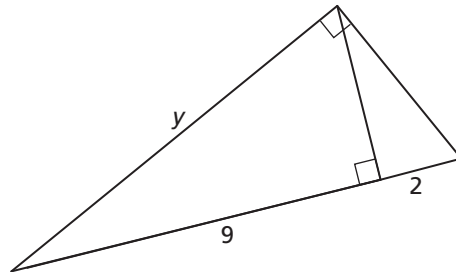
4. 5 and 45

In Exercises 5–8, find the value of the variable.

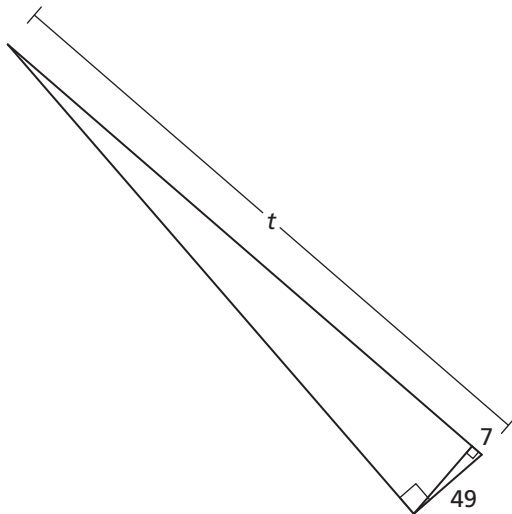
5.



6.



7.



8.

